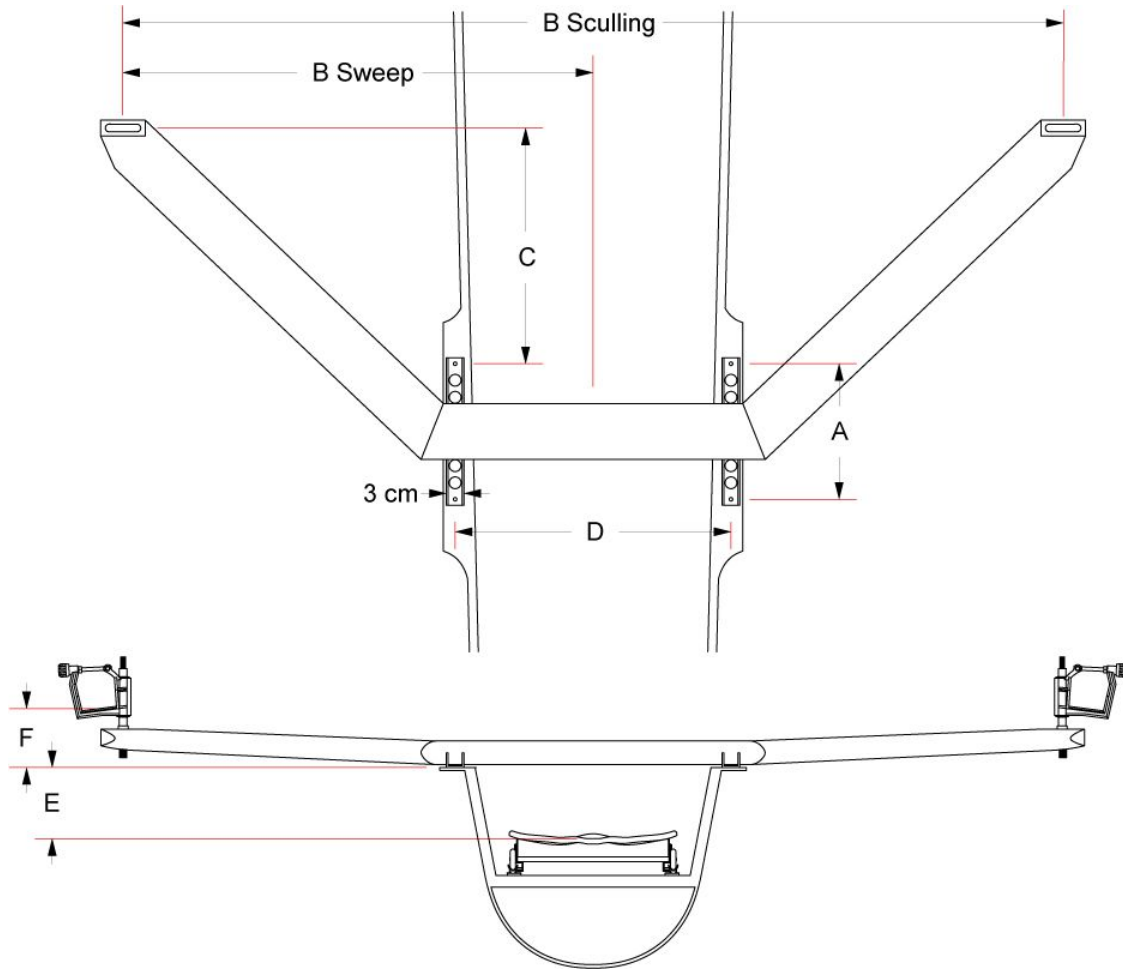


Aluminum Wing Rigger Ordering Guide



| | | | |
|--|----------|------------------------------|----------|
| Rower/Team Name: | _____ | Order Date: | _____ |
| Avg. Crew Weight (Kg): | _____ | Boat Type: | _____ |
| Boat serial Number | _____ | | |
| A (bolt-bolt) | _____ cm | D, 1 seat (bolt-bolt) | _____ cm |
| B Scull (avg. span, +/-4.5cm) | _____ cm | D, 2 (bolt-bolt) | _____ cm |
| B Sweep (avg. spread, +/-2.5cm) | _____ cm | D, 3 (bolt-bolt) | _____ cm |
| C (pin-bow bolt) | _____ cm | D, 4 (bolt-bolt) | _____ cm |
| E (seat top-flange) | _____ cm | D, 5 (bolt-bolt) | _____ cm |
| F (flange-oarlock height) | _____ cm | D, 6 (bolt-bolt) | _____ cm |
| F is measured to the bottom inside of the oarlock at the desired avg. height. | | D, 7 (bolt-bolt) | _____ cm |
| | | D, 8 (bolt-bolt) | _____ cm |